

# Parapet Drainage

## b/s/t ALIT Emergency Overflow Drain S Bitumen

with water dam level

Specification ←

Material  
Aluminium

Pipe length  
300 mm

Complete with water dam pipe, made of aluminium, L = 150 mm

Water dam level

To be cut to dam level, maximum dam level 90 mm

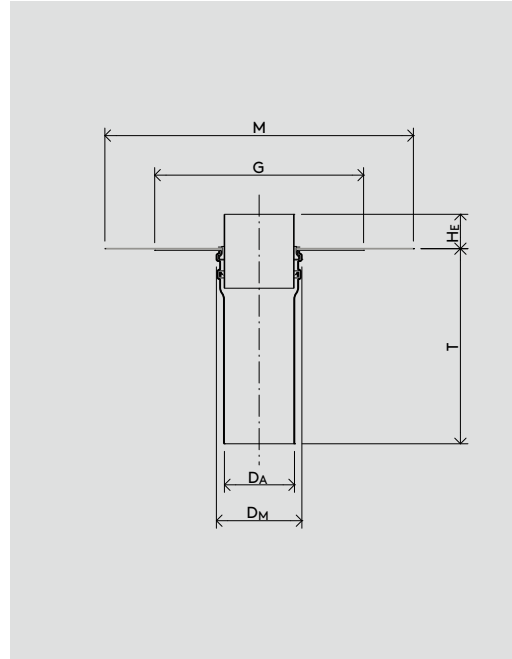
Membrane flange

SBS bitumen roofing membrane

INFO

Free ←  
calculation of  
quantity and  
flow rate

Special models ←  
on request\*



WG 1214 ←

Nominal Width	Product No.	D <sub>A</sub> ∅ [mm]	D <sub>M</sub> ∅ [mm]	G∅ [mm]	M∅ [mm]	T [mm]	H <sub>E</sub> [mm]
DN 70	A133-B070300	75	92	325	480	300	90
DN 100	A133-B100300	110	130	325	480	300	90
DN 125	A133-B125300	125	142	325	480	300	90

\* Custom-made products cannot be returned.

Status: 03/22 b/s/t GmbH Koch Kunststofftechnologie reserves the right to make technical modifications.